

## Information for Customers Operating Transceiver in the UK on 5MHz (60m) and 70MHz\* (4m)

Thank you very much for purchasing this YAESU HF transceiver.

The Transceivers listed in this notice are configured at the factory with the WRC-15 5MHz (60m) allocation as shown below as "B2".

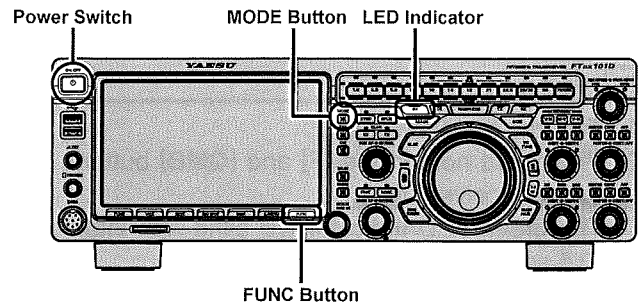
When your Transceiver is operated in the UK, the 5MHz (60m) and 70MHz\* (4m) configuration needs to be changed to "C2" as shown below before using the transceiver for the first time:

| WRC-15 5MHz (60m) Band Frequency Range<br>Factory Default Configuration "B2" | UK 5MHz (60m) and 70MHz* (4m) Band Frequency Range<br>Selectable Configuration "C2" |
|--|---|
| 5.351500 MHz - 5.366500 MHz  | 5.250000 MHz - 5.406500 MHz<br>70.000000 MHz - 70.499999 MHz*                       |

\* The 70MHz band is only available for the FTDX101MP, FTDX101D and FTDX10.

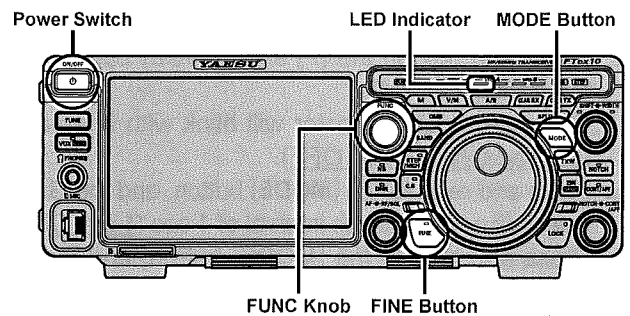
### FTDX101MP / FTDX101D

1. Turn the transceiver OFF.
2. Press and hold in the [FUNC] and [MODE] buttons while turning the transceiver ON.  
The green LED Indicator will blink with intervals of 0.5 sec (0.5 sec ON, 0.5 sec OFF).
3. Press and release the [MODE] button, and the Green LED Indicator will now blink with interval of 1 sec (1 sec ON, 1 sec OFF).
4. Press and hold in the [MODE] button, and the radio will restart automatically. Once restarted the change of 5 MHz frequency configuration will have been completed successfully.



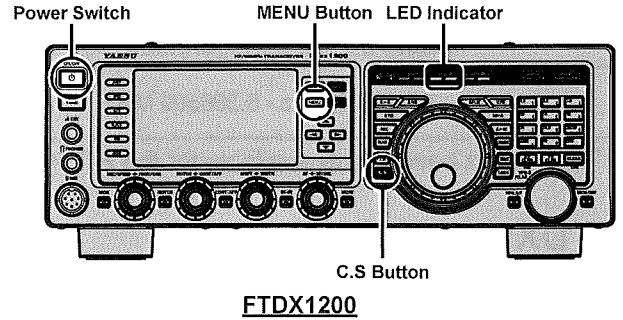
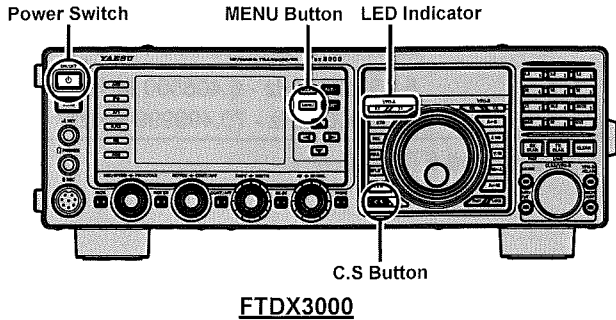
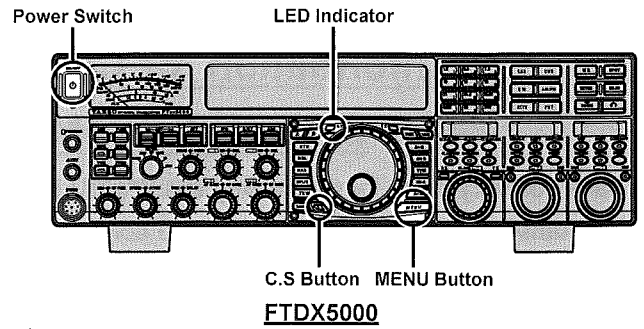
### FTDX10

1. Turn the transceiver OFF.
2. Press and hold in the [FINE] and [MODE] buttons while turning the transceiver ON.  
The green LED Indicator will blink with intervals of 0.5 sec (0.5 sec ON, 0.5 sec OFF).
3. Press and release the [FUNC] knob, and the Green LED Indicator will now blink with interval of 1 sec (1 sec ON, 1 sec OFF).
4. Press and hold in the [FUNC] knob, and the radio will restart automatically. Once restarted the change of 5 MHz frequency configuration will have been completed successfully.



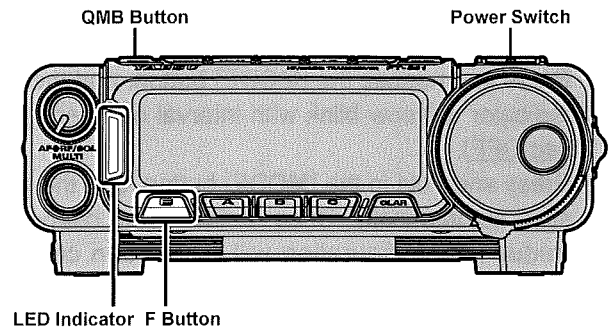
# FTDX5000 / FTDX3000 / FTDX1200

1. Turn the transceiver OFF.
2. Press and hold in the [MENU] and [C.S] buttons while turning the transceiver ON.  
The green LED Indicator will blink with intervals of 0.5 sec (0.5 sec ON, 0.5 sec OFF).
3. Press and release the [MENU] button, and the Green LED Indicator will now blink with interval of 1 sec (1 sec ON, 1 sec OFF).
4. Press and hold in the [MENU] button, and the radio will re-start automatically. Once restarted the change of 5 MHz frequency configuration will have been completed successfully.



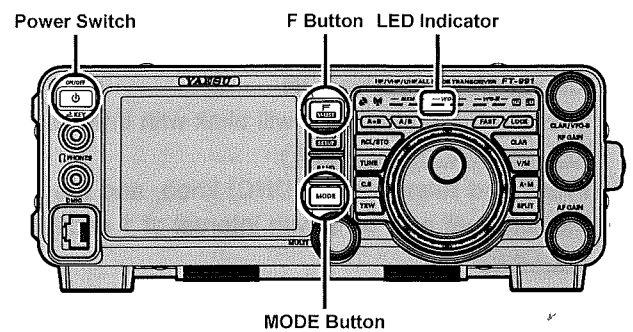
## FT-891

1. Turn the transceiver OFF.
2. Press and hold in the [F] and [QMB] buttons while turning the transceiver ON.  
The green LED Indicator will blink with intervals of 0.5 sec (0.5 sec ON, 0.5 sec OFF).
3. Press and release the [F] button, and the Green LED Indicator will now blink with interval of 1 sec (1 sec ON, 1 sec OFF).
4. Press and hold in the [F] button, and the radio will re-start automatically. Once restarted the change of 5 MHz frequency configuration will have been completed successfully.



## FT-991A

1. Turn the transceiver OFF.
2. Press and hold in the [F] and [MODE] buttons while turning the transceiver ON.  
The green LED Indicator will blink with intervals of 0.5 sec (0.5 sec ON, 0.5 sec OFF).
3. Press and release the [MODE] button, and the Green LED Indicator will now blink with interval of 1 sec (1 sec ON, 1 sec OFF).
4. Press and hold in the [MODE] button, and the radio will re-start automatically. Once restarted the change of 5 MHz frequency configuration will have been completed successfully.



\* The FT-991A is an HF and VHF/UHF transceiver. Please note that the default ARS UHF repeater frequency coverage and shifts for this model are different from normal UK usage. Selecting the "C2" configuration as below will enable correct repeater coverage and shifts for UK operation.

| ARS Configuration "B2"<br>Factory Default Setting                                  | ARS Configuration "C2"<br>Selectable Setting  |
|--|---|
| ARS Frequency Range: 438.20 MHz - 439.45 MHz (- shift)<br>Repeater Shifts: 7.6 MHz | ARS Frequency Range: 433.00 MHz - 433.40 MHz (+ shift)<br>434.60 MHz - 435.00 MHz (- shift)<br>Repeater Shifts: 1.6 MHz |

### Caution:

- When changing 5MHz and 70MHz\* band frequencies according to the procedures above, all saved data, such as Menu and Memory settings, will be deleted. If you need to change the 5MHz and 70MHz\* bands after using the radio, make sure to back up your registered data or make a written note, before applying the setting change.
- The current 5MHz and 70MHz\* band frequency range setting (B2 or C2) is NOT changed, even when executing the "Full Reset" procedure to factory defaults as described in the Operating Manual.

